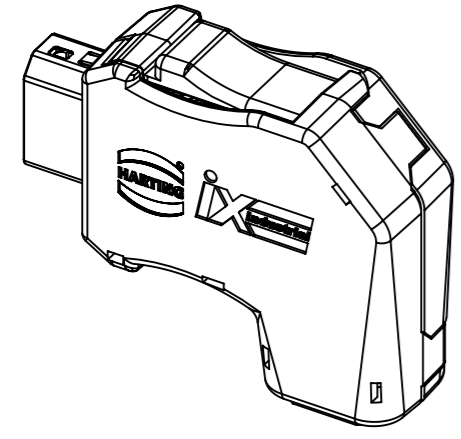
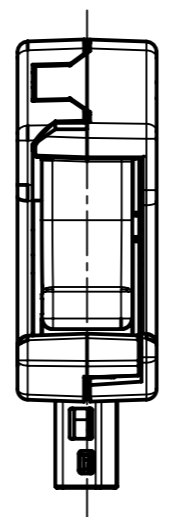
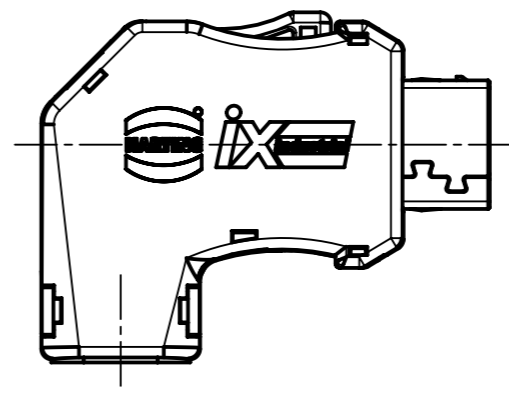
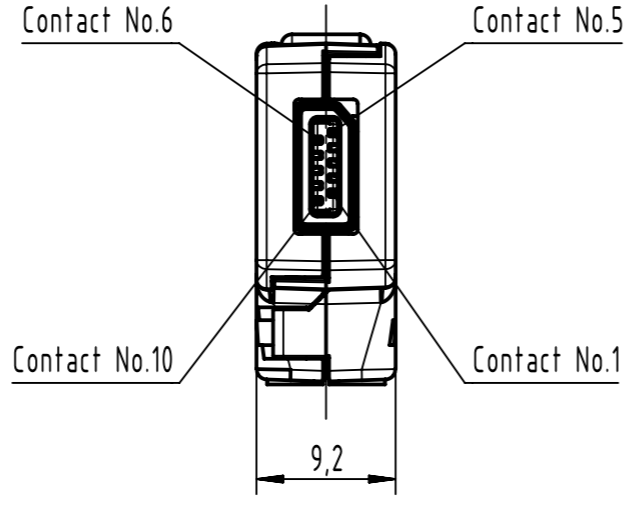
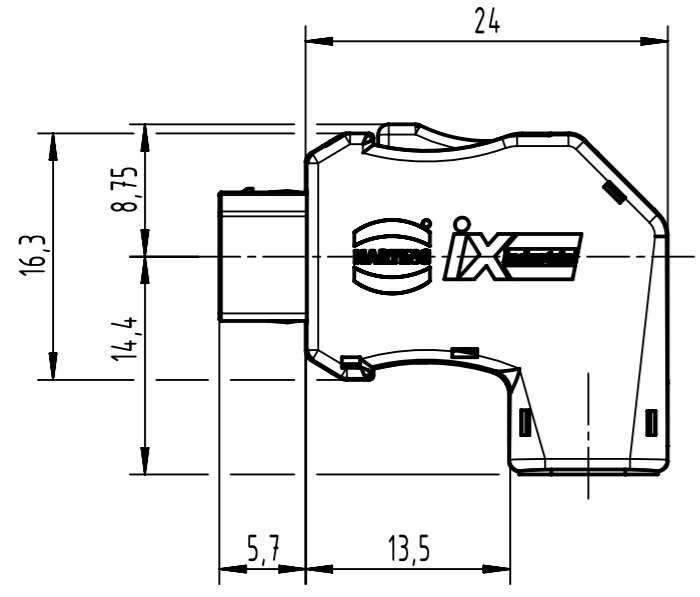
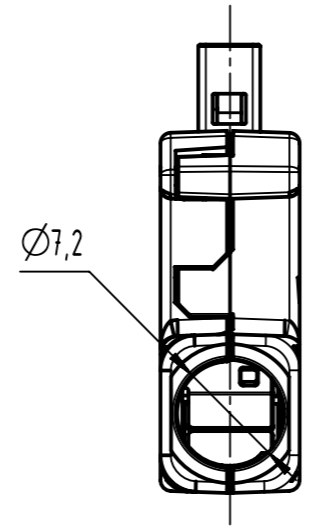
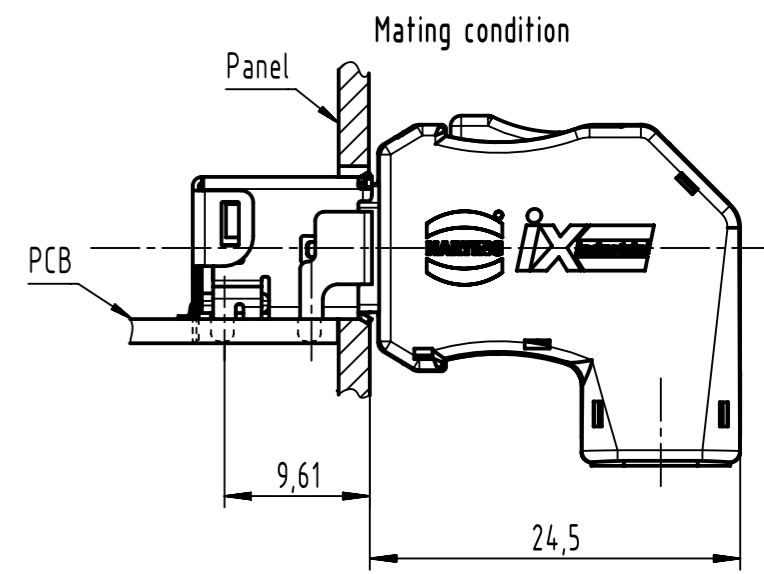
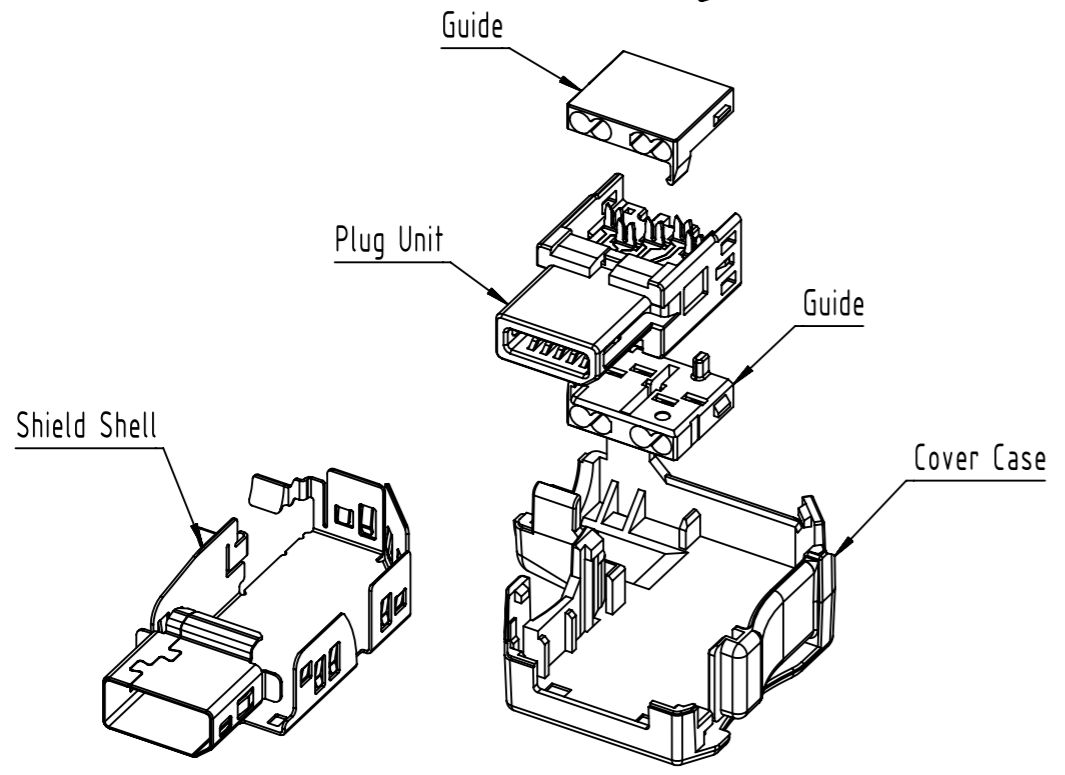
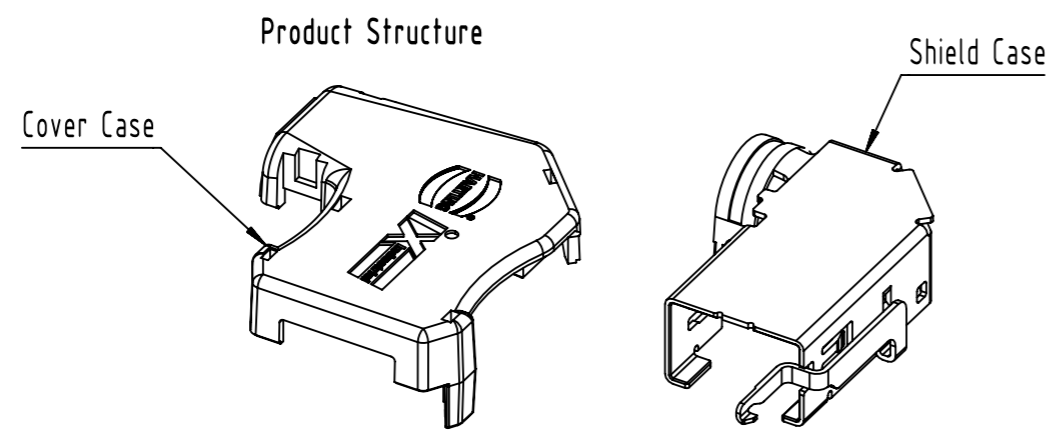
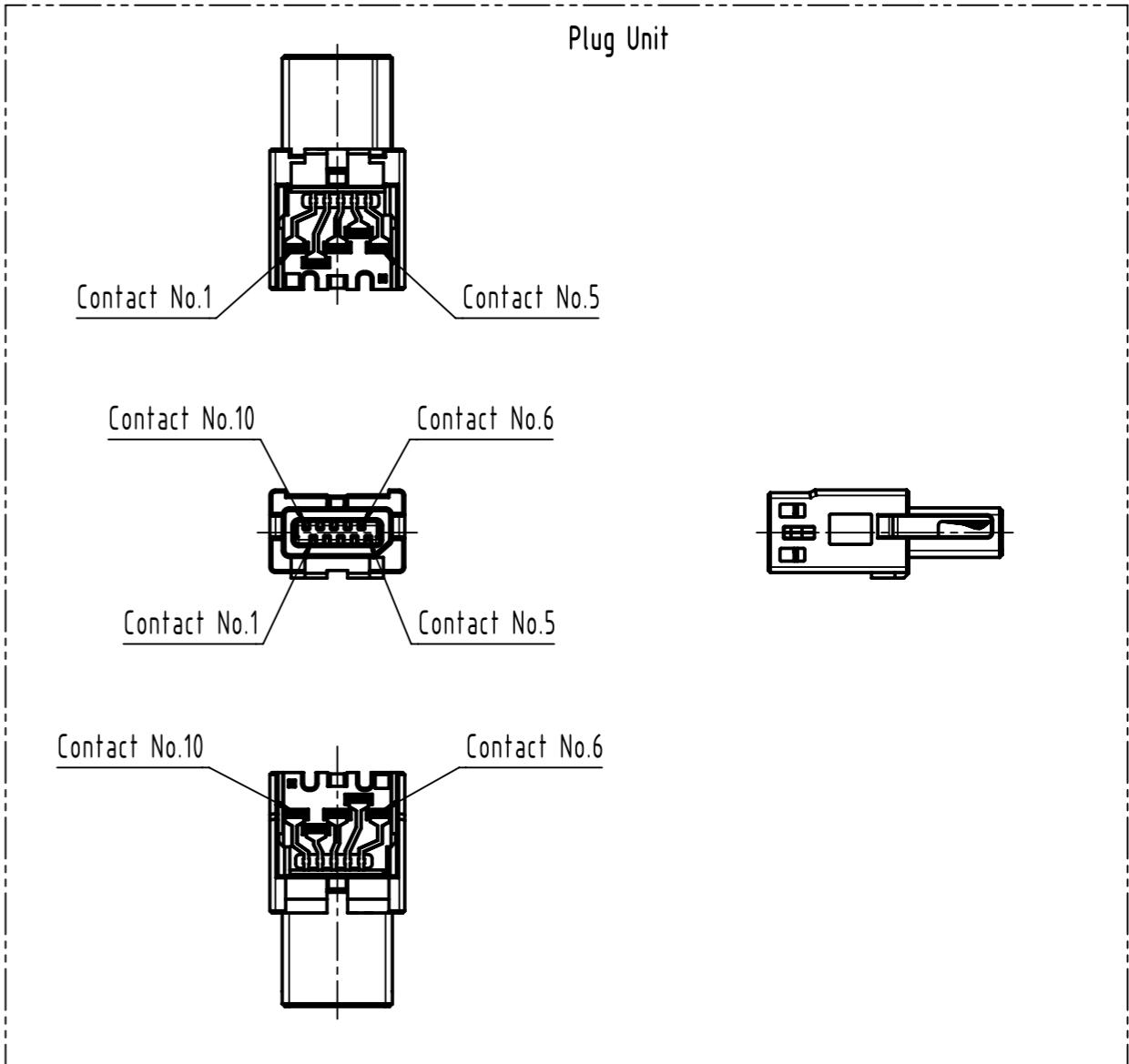
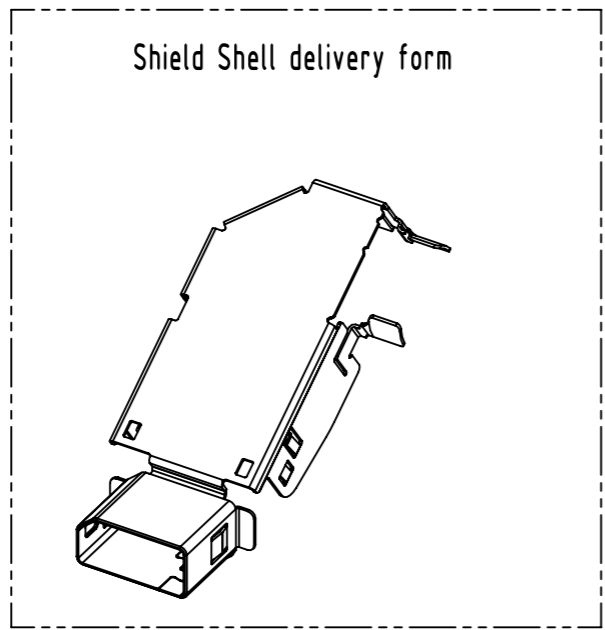


Applicable cable	
Items	Applicable condition
Conductor size	AWG 22
Insulation O.D.	Ø1,4 to 1,6 mm
Braid Shield	Tin plating
Sheath O.D.	Ø5,5mm - Ø7,2mm



Contact material: copper alloy
 Contact area: Gold 0,2µm min.
 Wiring area: Gold 0,03µm min.
 Under plating: Nickel 2µm min.

	All rights reserved Department EL PD	All Dimensions in mm Original Size DIN A3		Scale 2:1	Free size tol.	Ref.
		Created by BALSAN	Inspected by PREOTU	Standardisation RUETERA	Date 2022-06-30	State Final Release
HARTING D-32339 Espelkamp		Title ix Industrial 10B-1 plug A1-I22				Doc-Key / ECM-Nr. 101010909/UGD/000/A 500000219077
		Type TB	Number 09451819023XL		Rev. A	Page 1/2



	All rights reserved	Created by BALSAN	Inspected by PREOTU	Standardisation RUETERA	Date 2022-06-30	State Final Release	Ref. Sub.
	Department EL PD	Title ix Industrial 10B-1 plug A1-I22				Doc-Key / ECM-Nr. 101010909/UGD/000/A 500000219077	
HARTING D-32339 Espelkamp	Type TB	Number 09451819023XL			Rev. A	Page 2/2	